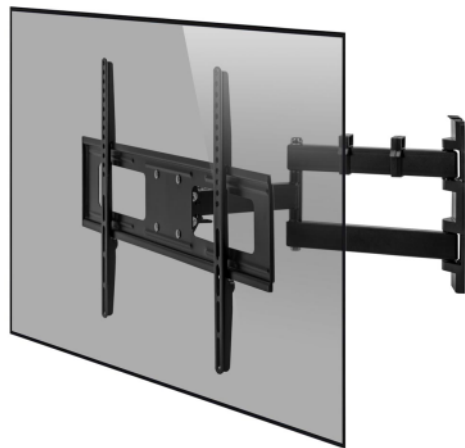


MonLines MWH021B

Swivel LCD TV mount 37" - 70"



Description

The MonLines Wall Mount MWH021B is a swivelling wall mount for LCD screens / TV sets from 37" to 70" with a maximum weight of 30 kg. Televisions / LCD TV devices can be mounted with a wall distance of max. 473 mm with the wall mount fully movable on the wall. Referring to the VESA compliant hole patterns from 100x100 to 800x400 mm, many TV manufacturers are compatible with this monitor mount for heavy duty LCD Televisions. The leveling function for the perfect installation simplifies the fine adjustment for the ultimate AV experience!

Key features

Screen size:	37" to 70 inches
VESA standard:	100x100, 100x200, 200x200, 200x300, 200x400, 300x300, 400x200, 400x300, 400x400, 400x600, 500x400, 500x500, 600x200, 600x300, 600x400 mm
Load capacity:	30 kg
Wall distance:	70 to 470 mm
Mobility:	Tilt -20° to 10° / swivel 180° / horizontally rotatable +/- 3°
Mounting type:	Wall mount
Finish:	Black